

Linear measuring technology

Draw wire mechanics with analog sensor

Draw wire encoder A30

**Measuring length max. 0.6 m
Traverse speed max. 0.8 m/s**



The draw wire mechanics A30 with analog output stands out with its miniaturized design. It is available with potentiometer, voltage or current output.



Analog output

Miniaturized and simple

- Measuring length up to 600 mm.
- For applications with a low traversing speed.
- Easy to install.

Order code **D5.350X . AXX . 0000**
draw wire encoder

Type **a** **b** **c**

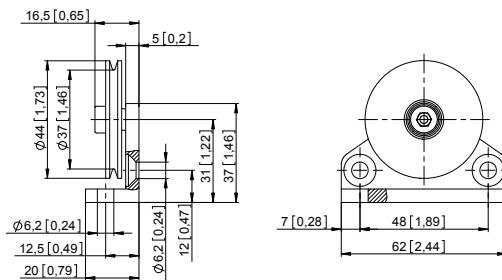
a Measuring range
A = 300 mm ¹⁾
B = 600 mm

b Output circuit
11 = analog output 4 ... 20 mA
22 = analog output 0 ... 10 V DC
power supply 15 ... 28 V DC
33 = potentiometer output 10 kΩ

c Type of connection
4 = radial cable, 0.5 m [1.64']

Guide pulley for draw wire encoder

Order no.



Order code for the set:
- Guide pulley (anodized aluminum)
- 2 x countersunk screws
for lateral fixing
- 2 x hexagonal screws
for fixing on a flat surface

8.0000.7000.0045

1) Not suitable for potentiometer output.

Linear measuring technology

Draw wire mechanics with analog sensor	Draw wire encoder A30	Measuring length max. 0.6 m Traverse speed max. 0.8 m/s
---	------------------------------	--

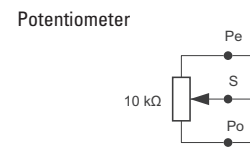
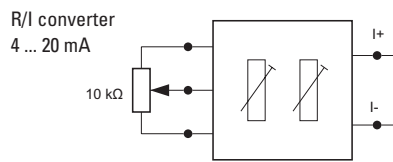
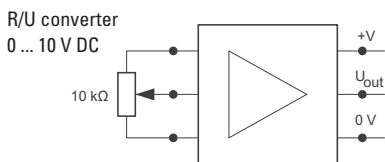
Technical data

Mechanical characteristics (draw wire mechanics)	
Speed max.	0.8 m/s
Working temperature	-10°C ... +80°C [+14°F ... +176°F]
Protection acc. to EN 60529	IP50
Weight	approx. 60 g [2.12 oz]
Extension force F_{min}	3 N
Repeat accuracy	±0.15 mm
Linearity	±0.35 %
Material	housing plastic wire stainless-steel \varnothing 0.4 mm plastic-coated

Electrical characteristics			
Analog output	0 ... 10 V DC	4 ... 20 mA	potentiometer 10 k Ω
Power supply	15 ... 28 V DC	–	–
Operating range	–	15 ... 28 V DC	max. 48 V DC
Max. load current	15 mA	–	–
Load	–	max. 500 Ω	–
Temperature range	-10°C ... +80°C [+14°F ... +176°F]		
CE compliant acc. to	EMC guideline 2014/30/EU RoHS guideline 2011/65/EU		

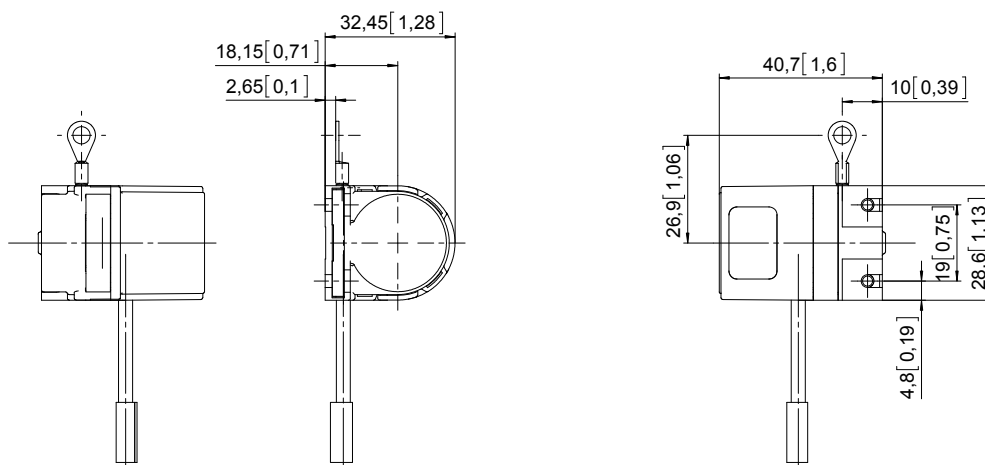
Terminal assignment

Color	BN	WH	GN
0 ... 10 V DC	+ 24 V DC	0 V	U_{out}
4 ... 20 mA	+I	-I	n.c.
Potentiometer	Po	Pe	S



Dimensions

Dimensions in mm [inch]



Linear measuring technology